



THE COMFORT COMPANY

Quietly making lives more comfortable®

HALO

SAFETY RING

HALO SAFETY RING INSTRUCTIONS

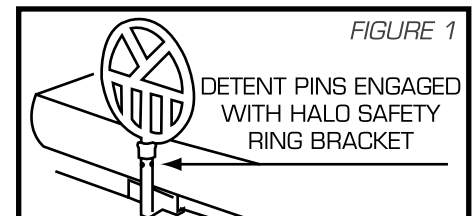
MODEL: 77101 - SINGLE HALO MOUNT 77102 - DOUBLE HALO MOUNT

FEATURES AND BENEFITS

- Promotes bed mobility which can help prevent skin breakdown
- Prevents Zone 1-4 entrapment
- Circular design with vertical mounting bar to prevent entrapment and allow for exit points for the neck, head and chest.
- Meets or exceeds FDA and Hospital Bed Safety Workgroup (HBSW) alternative dimensional & assessment guidelines established on March 10, 2006
- Easy removal for bed side transfers and bed therapy
- Locking mechanism allows for rotation to assist resident exiting bed
- 1000 lb. weight capacity
- Easy to install
- Lifetime Warranty

- WARNING -

- Serious injury or death can result if the Halo Safety Ring is not properly installed.
- DO NOT use this product or any available optional equipment without first completely reading & understanding these instructions. If you are unable to understand the warnings, cautions or instructions, contact customer service at (800) 564-9248 for assistance before attempting to use this equipment - otherwise, injury or damage may occur.
- The Halo Safety Ring is not intended to prevent an individual from inadvertently rolling out of bed. DO NOT use the Halo Safety Ring for restraint purposes. DO NOT use to transport or move bed.
- ENTRAPMENT MAY OCCUR. Proper patient assessment and monitoring, and proper maintenance and use of equipment is required to reduce the risk of entrapment. Variations in mattress thickness, size or density could increase the risk of entrapment. Visit the FDA website at <http://www.fda.gov> to learn about the risks of entrapment.
- Remove bed rails and all bed rail mounting brackets prior to installation of the Halo Safety Ring.
- The Halo Safety Ring is rated for use with patients weighing up to 1000 lbs. Although the Halo Safety Ring is rated for such use, it may become deformed or broken if excessive force is exerted on the device.
- After installation, verify the mattress is in firm contact with the Halo Safety Ring and that the mattress cannot shift away.
- Detent pins used to rotate the Halo Safety Ring must be engaged with holes in the Halo Bracket prior to use, refer to Figure 1.
- The Halo Safety Ring must be perpendicular (90 degrees) to the bed if used to assist the user out of a chair. Detent pins must be engaged with the holes in the Halo Safety Ring bracket prior to use as a patient assist.



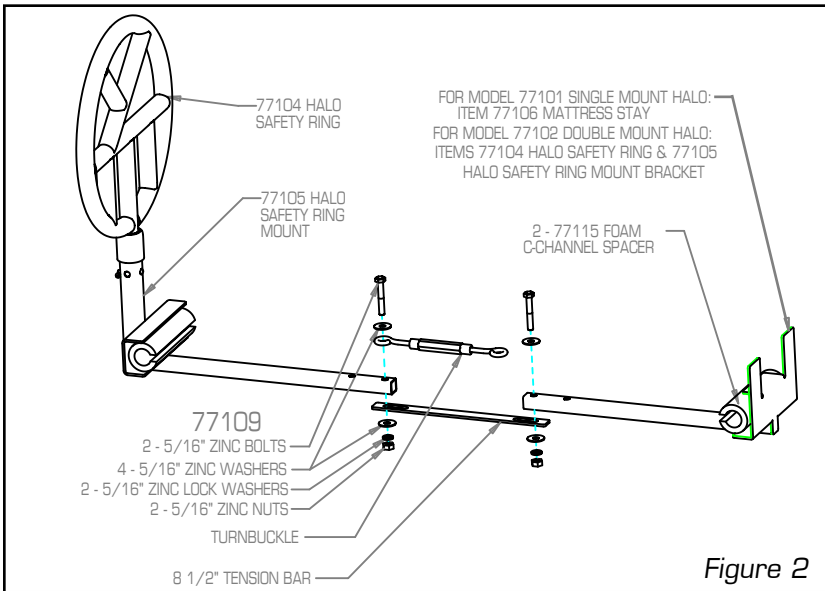
		<p>!WARNING! IMPROPER INSTALLATION CREATES A RISK OF ENTRAPMENT IN ORDER TO AVOID ENTRAPMENT, THE MATTRESS MUST REMAIN IN FIRM CONTACT WITH THE HALO SAFETY RING ON BOTH SIDES OF THE BED. IF A HALO SAFETY RING IS ONLY INSTALLED ON ONE SIDE OF THE BED, THE MATTRESS MUST ALSO REMAIN IN FIRM CONTACT WITH THE MATTRESS STAY/BRACKET ON THE OTHER SIDE OF THE BED.</p>	
--	--	-----------------------------------------------------------------------------------------------------------------------------------------------------------------------------------------------------------------------------------------------------------------------------------------------------------------------------------------------------------------------------------------------------------	--



HALO SAFETY RING INSTRUCTIONS

MODEL: 77101 - SINGLE HALO MOUNT 77102 - DOUBLE HALO MOUNT

• ITEMS INCLUDED IN THIS BOX



• TOOLS NEEDED FOR ASSEMBLY

9/16" Open End Wrench

1/2" Closed End Wrench

1/2" Socket with Ratchet Wrench



WARNING



- Mattress must remain in firm contact with the Halo Safety Ring on both sides of the bed. If a Halo Safety Ring is only installed on one side of the bed, the mattress must remain in firm contact with the mattress stay or mount bracket on the other side of the bed.

INSTALLATION STEPS:

- 1 Remove all bed rails and all bed rail mounting brackets prior to installation.
- 2 If the bed is adjustable, rotate the head portion up to the highest position.
- 3 Loosen the turnbuckle 1" on both sides.

Model 77102 Double Halo Mount:

- 4* Attach (77105) Halo Safety Ring Mount to (77105) Halo Safety Ring Mount using (77109) Hardware Kit according to Figure 1 Halo Safety Ring Assembly Exploded View. Thread each nut onto a bolt, leaving it slightly loose.
- 5 Connect this assembly to the hospital bed deck 2" above the hinge that allows the head portion to rotate. Insert (77115) Foam C-Channel between the Halo assembly and the bed deck
- 6 Tighten the turnbuckle using the 9/16" Open End Wrench until the turnbuckle begins to rise up towards the bed deck.
- 7 Verify both halves of assembly are secure and aligned 2" above the hinge.
- 8 Eliminate gap space between the Halo Safety ring and mattress on both sides of bed. If necessary: a) Adjust tension on turnbuckle. b) Pull up or down on the turnbuckle to manually adjust.
- 9 Tighten the nuts onto the bolts from the (77109) hardware kit.
- 10 Slide the (77104) Halo Safety Ring into the (77105) Halo Safety Mount by pinching the double locking detent pins on the bottom bar of the Halo Safety Ring.
- 11 Rotate and verify detent pins engage with holes in the Halo Safety Ring Mount Bracket.
- 12 Verify the Halo Safety Ring does not move by pulling on the Ring.

Your Halo Safety Ring is now installed and ready for resident use!

*The Halo Safety Ring is designed to accommodate a range of different bed manufacturers. If the device does not easily attach to the bed deck, interferes with the sub-frame, or the mattress does not firmly contact the Halo Safety Ring bracket – DO NOT USE. Contact customer service at (800) 564 - 9248



THE COMFORT COMPANY

Quietly making lives more comfortable®

HALO

SAFETY RING

HALO SAFETY RING INSTRUCTIONS

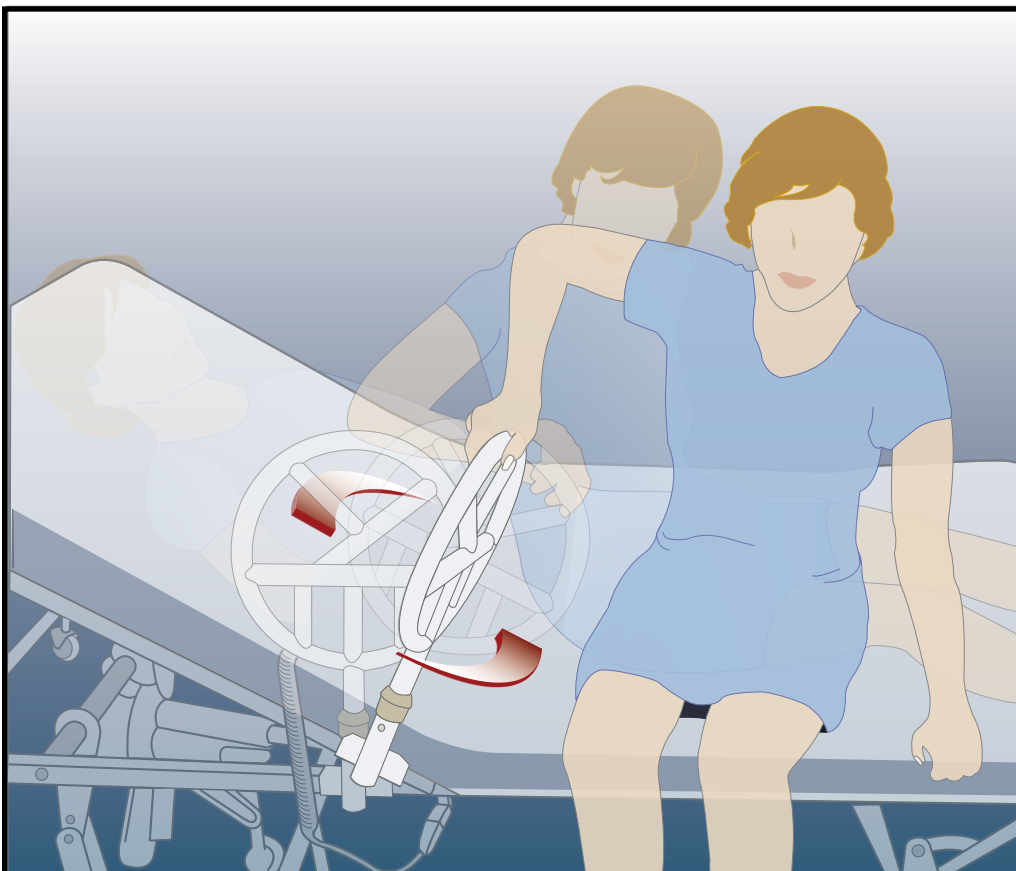
MODEL: 77101 - SINGLE HALO MOUNT 77102 - DOUBLE HALO MOUNT

INSTRUCTIONS FOR USE

The Halo Safety Ring can be grasped by the resident to assist in bed mobility. This can help build strength, increase independence, and help prevent skin breakdown.

The Halo Safety Ring is designed to rotate ninety degrees (90°) to assist residents during transfers and as a bed mobility device.

1. In order to rotate the Halo Safety Ring, pinch the detent pins and rotate the Halo Safety Ring ninety degree (90°) as shown below.
2. Detent pins must engage with the holes in Halo Safety Ring bracket prior to use.
3. Always position the Halo Safety Ring parallel with the bed when in use and make sure detent pins are engaged.



SAFETY PRECAUTIONS:

- Regularly check the Halo device to identify areas of possible entrapment, immediately cease using the bed until entrapment risk is fixed.
- Regularly check to make sure that there is no gap between the Halo Safety Ring and the side of the mattress. A gap could allow the user to become wedged between the bed rail and the mattress.
- Follow all assembly instructions carefully. Failure to follow the instructions could result in serious injury to the user(s) of the product.



- Failure to return Halo Safety Ring to parallel position when bed is in use may cause entrapment hazard.